

job name:   
 type:

## fl.air™ spec sheet 90CRI

### material

#### housing

precision CNC spun .064" aluminum outer housing available in 15 standard powder coat paint finishes listed below.

#### diffuser

.125" Satinice WD855 light scattering, glare reduction acrylic. Colorless diffusion reduces CCT shift. 72% high light transmission.

### LED

custom LED board in 3000K, 3500K, or 4000K (90+ cri standard) LEDs are rated >50,000 hours L70 (10K) at 85°C per LM-80 test data, and 70,000 hours projected life per IES TM-21. power cord color options listed below.

### driver

in canopy, constant current, class P, class 2 power unit, class A sound rating, universal input (120-277V) programmable driver, 1% minimum dimming level, PF >0.90. protections include short circuit, input/output isolation and surge protection (3KV). wired for 0-10v dimming.

### mounting

spun aluminum canopy painted to match fixture. three ultrathin vertical stainless steel cables and field adjustable grippers that allow for exact AFF mounting heights. cloth-covered power cord color, options listed below. cloth cord requires special stripping tool (link).

### power over cable (optional)

Class 2 LED powered suspension system that suspends and powers the fixture with thin stainless steel copper-core conductive cables, providing a clean look without the need for a separate power cord. powered suspension requires cable cutter (link) specifically designed to cut stainless steel aircraft cable from 1/32" to 1/8".

### finish

select from standard powder coat paint finishes or specify RAL# for custom colors.

### emergency

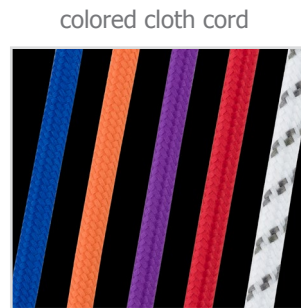
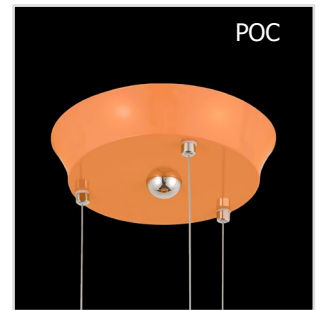
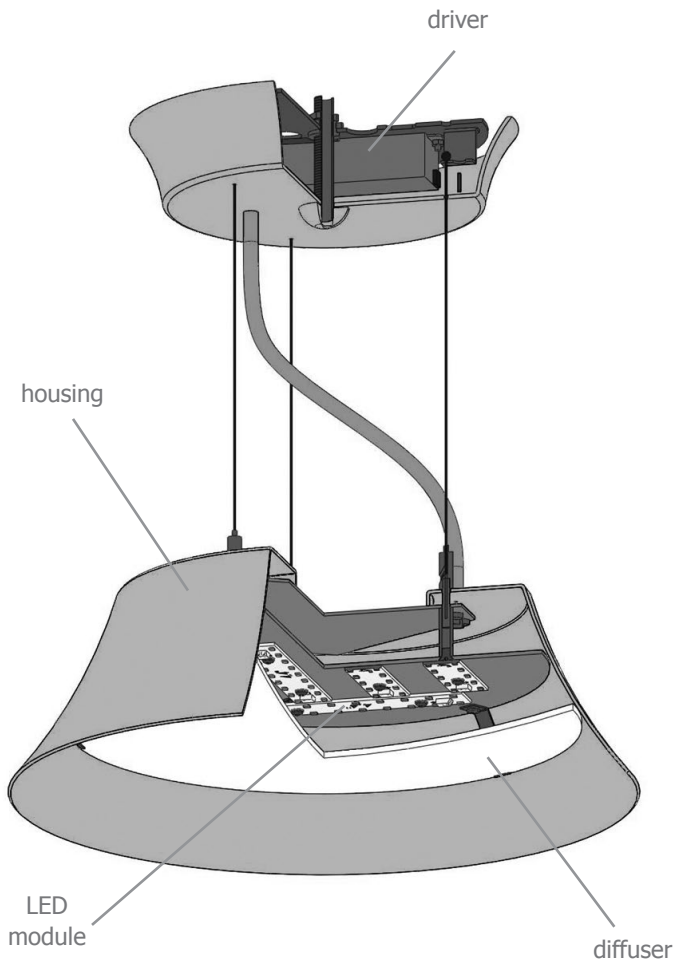
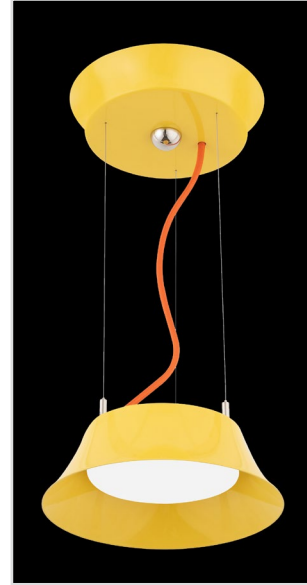
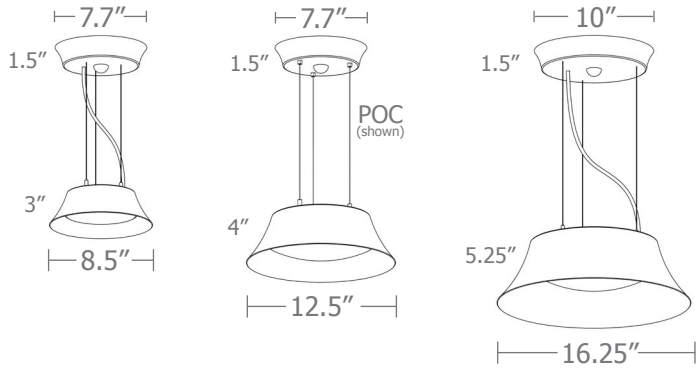
if required, recommend use of inverter (by other).



## catalog number

size	CCT	lumens	painting finish	power cord	options
<b>P5808</b> 8.5"dia X 3"ht	<b>30</b> 3000K <b>35</b> 3500K <b>40</b> 4000K	<b>LO</b> 1004 lm <b>HI</b> 2000 lm	<b>AP</b> anodized paint <b>BS</b> brass <b>BU</b> blue <b>BZ</b> bronze <b>CP</b> champagne <b>FB</b> flat black <b>GM</b> gun metal <b>MB</b> military blue <b>MW</b> matte white <b>OR</b> orange <b>RD</b> red <b>SB</b> satin black <b>SS</b> satin silver <b>TG</b> textured gray <b>YO</b> yellow	<b>BUPC</b> blue cloth cord <b>ORPC</b> orange cloth cord <b>PLPC</b> purple cloth cord <b>RDPC</b> red cloth cord <b>WGPC</b> white & gray dot cloth cord  <b>POC</b> power over cable	<b>3FT</b> 36" cables <b>6FT</b> 72" cables
<b>P5812</b> 12.5"dia X 4"ht	<b>30</b> 3000K <b>35</b> 3500K <b>40</b> 4000K	<b>LO</b> 1505 lm <b>HI</b> 3000 lm			
<b>P5816</b> 16.25"dia X 5.25"ht	<b>30</b> 3000K <b>35</b> 3500K <b>40</b> 4000K	<b>LO</b> 1915 lm <b>HI</b> 4000 lm	<b>premium finish</b> <b>RAL</b> specify RAL#	<b>WHPC</b> white power cord and canopy <b>BKPC</b> black power cord and canopy <b>SBPC</b> silver braid power cord and white canopy	

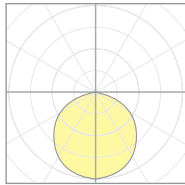




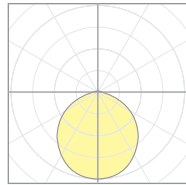
## Calculation Table

The application of a Light Loss Factor is required to:

- match the lumen output for the power module specified
- incorporate the increased lumen output due to LED/Driver upgrades



10202  
P5808-40HI



11206  
P5816-40HI

Cat No	Delivered* Lumens	Watts 120V / 277V	IES File	LLF to be applied
P5808 LO	1000	12	10202	.50
P5808 HI	2000	23	10202	1.00
P5812 LO	1505	17	10204	.50
P5812 HI	3000	35	10204	.99
P5816 LO	1915	22	10206	.48
P5816 HI	4000	46	10206	1.00

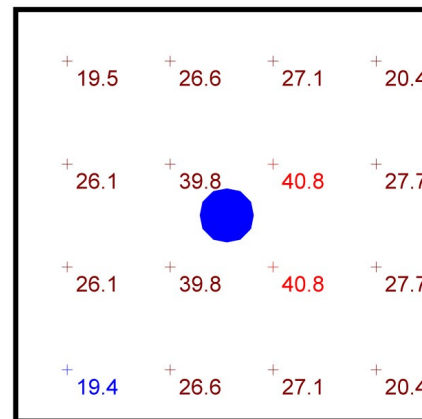
\* delivered lumens based on 4000K, 90+ cri

## Typical Lighting Layout

Schedule					
Quantity	Manufacturer	Catalog Number	Description	Lamp	Wattage
1	Impact Architectural Lighting	P5812 40HI	12.5" dia. pendant fl.air	4000k 90cri LED	32

- 8' x 8' x 10'H space
- 80/50/20 reflectances
- fixture at 8' aff
- FC readings at 2.5' aff
- layout conducted using P5812 HI lumen 90 CRI package providing 3000 delivered lumens

Statistics						
Description	Symbol	Avg	Max	Min	Max/Min	Avg/Min
fl.air	+	28.5 fc	40.8 fc	19.4 fc	2.1:1	1.5:1



Plan View  
Scale - 1" = 2ft



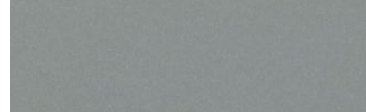
## Powder Coat Paint Finishes



**MW** matte white



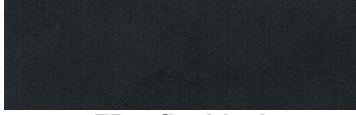
**AP** anodized paint



**SS** satin silver



**TG** textured gray



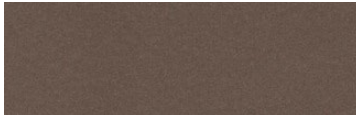
**FB** flat black



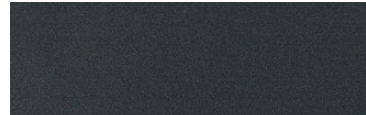
**SB** satin black



**CP** champagne



**BZ** bronze



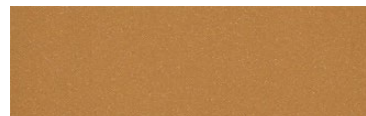
**GM** gun metal



**OR** orange 2011



**BU** blue 5017



**BS** brass



**RD** red 3020



**YO** yellow 1018



**MB** military blue

For accurate color verification, actual finish samples are available upon request.

## Premium Finishes\*



**RAL#**

\*Available on select series. Consult product submittal for availability.